

## WHO-929NG



- High output level: 114 dB $\mu$ V (CENELEC 42)
- How quality low-noise amplification systems
- Designed for transferring high modulations
- Easy configuration - universal JXP plug-in modules
- Active or passive return path
- Remote power supply transferable to any output
- Two outputs – division and splitting options
- Robust, shock resistant housing

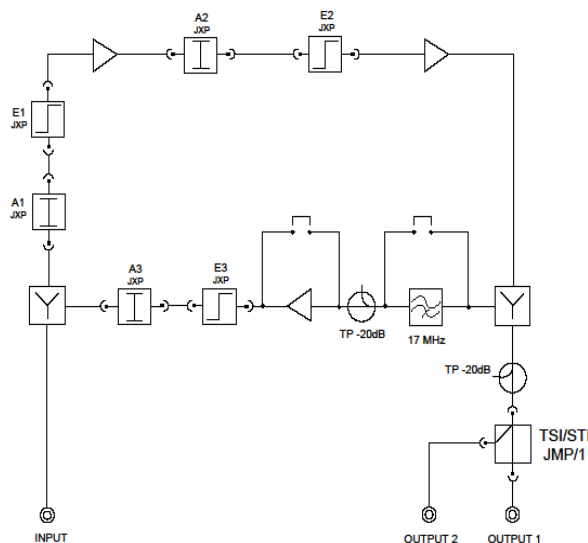
**WHO-929NG** amplifier has been designed for professional multimedia cable TV networks, that uses transmission in reverse path - especially with an HFC architecture.

The device is controlled by universal plugins (attenuators) and single dedicated output path division module. It allows to preserve the highest possible MER and BER parameters for digital signals.

**WHO-929NG** is equipped with a modern and reliable power supply system that guarantees continuous operation in the most arduous conditions.

Its additional functions include division or splitting signal to another output, embedded ingress filter, and simplified configuration excluding enlarged number of inserts.

### BLOCK DIAGRAM



## TECHNICAL PARAMETERS

PARAMETERS		WHO-929NG
<b>FORWARD PATH</b>		
Frequency range	MHz	87, 110...1006
Gain	dB	39
Flatness	dB	±1
Max. output level (DIN 45004B)	dBμV	129
Max. output level CENELEC 42, interstage equalization 0dB, CTB≤-60dB, CSO≤-60dBc	dBμV	114
Input attenuator	dB	JXP plug-in: 0...20, step 1
Input equalizer	dB	JXP plug-in: 0...20, step 1
Interstage adjustment - attenuator - equalizer	dB	JXP plug-in: 0...20, step 1 JXP plug-in: 0...20, step 1
Interstage equalizer	dB	JXP plug-in: 0...20, step 1
Test point	dB	-20 ±1
Noise figure	dB	< 8
Return loss at all Inputs / Outputs: - in the frequency range of 5...40MHz - in the frequency range of 40...1000MHz	dB dB	18 ≥18 @ 40MHz -1.5 dB / oct.
<b>RETURN PATH</b>		
Frequency range	MHz	5...65, 5...85
Gain – measured at amplifier IN / OUT	dB	-2.5 / 25
Gain characteristic flatness	dB	±1
Max. output level - DIN 45004B	dBμV	118
Output attenuator	dB	JXP plug-in: 0...20, step 1
Output equalizer	dB	JXP plug-in: 0...20, step 1
Test point	dB	-20 ± 1
Noise figure	dB	< 6
<b>OTHERS</b>		
Operating voltage	V <sub>AC</sub> /Hz	30..90 / 50-60
Power consumption (passive / active return path)	W	14 / 16
Current consumption at 30V <sub>AC</sub> / 90V <sub>AC</sub>	A	0,85 / 0,25
Max. current for every output	A	7
Input / output connector (standard)	/	5.8" or PG11
Protection class	/	IP52 <sup>1)</sup>
Operational temperature range	°C	-20...+55
Weight	kg	1.4
Dimensions (W x H x D)	mm	219 x 134 x 96
Package	/	box

1) Available version with IP67

Technical parameters may be changed without earlier notice

[www.telmor.pl](http://www.telmor.pl)